



Electrolux
PROFESSIONAL

**High Productivity Cooking
Touchline tilting pressure braising
pan, gas (61,362BTU), 24 gal (90 lt)**

ITEM # _____
 MODEL # _____
 NAME # _____
 SIS # _____
 AIA # _____



High Productivity Cooking
Touchline tilting pressure braising pan, gas (61,362BTU), 24 gal (90 lt)



587027 (PUET09GCWU) Touchline tilting pressure braising pan, gas (61,362BTU), 24gal capacity (90lt) - 120V/1p/60Hz

Short Form Specification

Item No. _____

AISI 304 stainless steel construction. GN compliant pan size; 0.7" (18mm) thick pan bottom 0.6" (15mm) mild steel and 0.1"(3mm) AISI 316 stainless steel. Insulated and counterbalanced lid. Motorized tilting with variable speed control. Pan can be tilted beyond 90° to completely empty the food. Robust multiple burners with electronic ignition and monitoring. Safety thermostat protects the pan from overheating. A precise, electronic control of pan bottom temperature ensures fast reaction and exact adherence to pre-selected cooking temperatures between 122°F and 482°F (50°C and 250°C). Automatic steam elimination at the end of the cooking cycle. It can be used for poaching or steaming (with the lid open); simmering and boiling (with open or closed lid). TOUCH control panel. SOFT function. PRESSURE function. IPX6 water resistant. Configuration: Free-standing or Against a wall. Installation options (not included): floor mounted on 8" (200mm) high feet or a plinth which can be either steel or masonry construction.

Main Features

- Multifunctional cooking appliance used for roasting, pot-roasting, braising, simmering, boiling, pressure cooking and steaming.
- Pan size is GN compliant.
- Temperature sensors provides efficient temperature control: the power is supplied as and when required to keep the set temperature value without exceeding it.
- Easy to clean cooking surface due to large-radius edges and corners.
- Cooking with a working pressure of 6.5psi (0.45 bar) reduces cooking times.
- Optimum heat distribution in the food provides best cooking results in terms of taste, color and consistency and in terms of vitamin preserving.
- Safety mechanism prevents lid from opening, even in case of voluntary attempt, when cooking under pressure.
- Overnight cooking: saving electricity and time.
- Safety valve on the lid avoids overpressure in the food compartment.
- IPX6 water resistant.
- Motorized, variable pan tilting with "SOFT STOP". Tilting and pouring speeds can be precisely adjusted. Pan can be tilted over 90° to facilitate pouring and cleaning operations.
- "Pressure function": once the pressure lid is locked, the system automatically regulates itself.
- Built in temperature sensor to precisely control the cooking process.
- No overshooting of cooking temperatures, fast reaction.
- USB connection to easily update the software, upload/download recipes and download HACCP data.

Construction

- External panelling and internal frame made of 1.4301 (AISI 304) stainless steel.
- Multipurpose non-stick cooking surface in 0.75" (18 mm) thick compound: 0.1" (3 mm) shot-blasted 1.4404 (AISI 316L) stainless steel surface, seamlessly welded to the mild steel bottom.
- Double-lined insulated lid in 1.4301 (AISI 304) stainless steel mounted on the cross beam of the unit, counterbalanced by a hinge that remains open in all positions.
- Gas appliance has robust multiple burners with electronic ignition and monitoring for a safer operation. Operation with natural gas and LPG (on request).
- Water mixing tap is available as optional accessory to make water filling and pan cleaning easier.
- Pressure lid fitted with a proven fast-acting lock which is simple and safe in operation.
- Heatproof handle with non-slip surface.
- Front-mounted inclined led "TOUCH" control panel with recessed deep drawn casing, features self-explanatory display functions which guide operator throughout the cooking process: simultaneous display of actual and set temperature as well as set cooking time and remaining

APPROVAL: _____



cooking time; real time clock; "SOFT" control for gentle heating up for delicate food; 9 power simmering levels from gentle to heavy boiling; timer for deferred start; error display for quick trouble-shooting.

- Minimised presence of narrow gaps for easier cleaning of the sides to meet the highest hygiene standards.
- "Boiling" or "Braising" mode functions.
- Can be prearranged for energy optimisation or external surveillance systems (optional).
- 98% recyclable by weight; packaging material free of toxic substances.
- Model equipped with TDO valve available as special execution (S/code request)
- [NOT TRANSLATED]
- [NOT TRANSLATED]
- [NOT TRANSLATED]

User Interface & Data Management

- Connectivity ready for real time access to connected appliances from remote and data monitoring (requires optional accessory - contact the Company for more details).

Sustainability



- High-quality thermal insulation of the pan saves energy and keeps operating ambient temperature low.

Optional Accessories

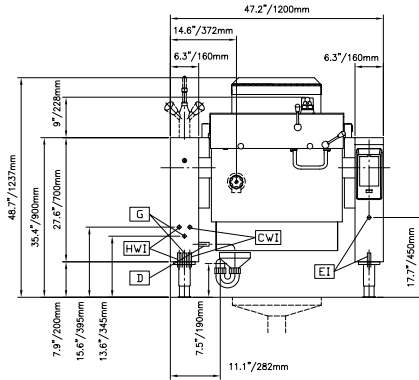
- | | | |
|--|------------|--------------------------|
| • Suspension frame for Pressurized Tilting Braising Pans - 2 needed for 24 gallon units (587021, 587027) - 3 needed for 45 gallon units (587025, 587028) | PNC 910191 | <input type="checkbox"/> |
| • Base plate, for pressure braising pans and non-pressure braising pans, half size - 2 needed for 24 gallon units (587031, 587037, 587021, 587027) - 3 needed for 45 gallon units (587035, 587039, 587025, 587028) | PNC 910201 | <input type="checkbox"/> |
| • Perforated container with handles, height 4" (102mm) | PNC 910211 | <input type="checkbox"/> |
| • Perforated container with handles, height 6" (152mm) | PNC 910212 | <input type="checkbox"/> |
| • Perforated container with handles, height 8" (203mm) | PNC 911673 | <input type="checkbox"/> |
| • Left cover plate and mixing faucet for kettle (587040), and all braising pans (587037, 587039, 587031, 587035, 587027, 587028, 587021, and 587025) | PNC 911819 | <input type="checkbox"/> |
| • Spray gun for tilting units, height 27-1/2" (698.5mm) - factory fitted | PNC 912776 | <input type="checkbox"/> |
| • SCRAPER WITHOUT HANDLE (PFEX/PUEX) | PNC 913431 | <input type="checkbox"/> |
| • - NOT TRANSLATED - | PNC 913432 | <input type="checkbox"/> |
| • 4 flanged feet, 2", for prothermetic units (kettles, braising pans & pressure braising pans) | PNC 913438 | <input type="checkbox"/> |
| • - NOT TRANSLATED - | PNC 913575 | <input type="checkbox"/> |
| • - NOT TRANSLATED - | PNC 913577 | <input type="checkbox"/> |
| • Spray gun kit for free-standing ProThermetic Tilting units H=700 - US - Field Mounted | PNC 913579 | <input type="checkbox"/> |



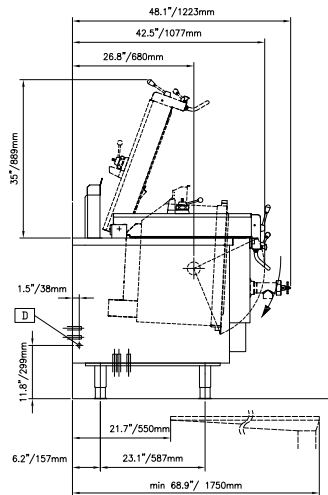
Electrolux
PROFESSIONAL

High Productivity Cooking Touchline tilting pressure braising pan, gas (61,362BTU), 24 gal (90 lt)

Front



Side

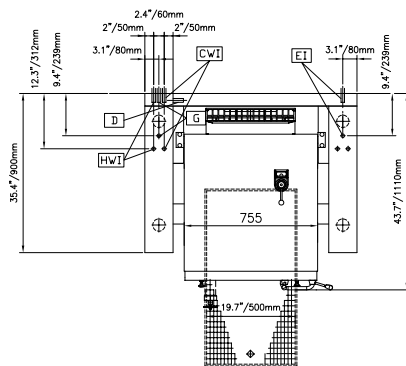


CWII = Cold Water inlet G = Gas connection

D = Drain

EI = Electrical connection

Top



Electric

Supply voltage:
587027 (PUET09GCWU) 120 V/1 ph/60 Hz

Total Watts: 0.2

Gas

Gas Power: 61416 Btu/hr (18 kW)

Gas Type Option: Propane

Gas Inlet: 3/4"

Water:

Pressure: 29-87 psi (2-6 bar)

Drain line size: 1/2"

Incoming Cold/hot Water
line size: 1/2"

Installation:

Type of installation: FS on concrete base;FS on feet;On base;Standing against wall

Key Information:

Configuration: Rectangular;Tilting

Working Temperature MIN: 122 °F (50 °C)

Working Temperature MAX: 482 °F (250 °C)

External dimensions, Width: 47 1/4" (1200 mm)

External dimensions, Depth: 35 7/16" (900 mm)

External dimensions, Height: 27 9/16" (700 mm)

Net weight: 529 lbs (240 kg)

Shipping width: 51 9/16" (1310 mm)

Shipping depth: 49 5/8" (1260 mm)

Shipping height: 58 1/4" (1480 mm)

Shipping weight: 1041 lbs (472 kg)

Shipping volume: 86.26 ft³ (2.44 m³)

Heating type: Direct

Tilting mechanism: Automatic



High Productivity Cooking
Touchline tilting pressure braising pan, gas (61,362BTU), 24 gal (90 lt)

The company reserves the right to make modifications to the products
without prior notice. All information correct at time of printing.